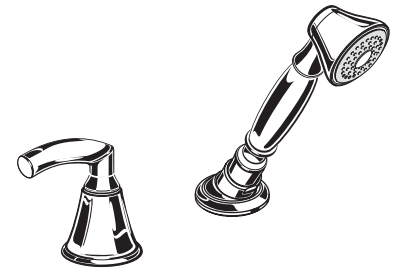


*American Standard*

# DECK MOUNT TUB FILLERS

**TROPIC DIVERTER & PERSONAL  
SHOWER TRIM KITS**  
with EverClean™ Finish

## Installation Instructions T038.990



Certified to comply with ANSI A112.18.1  
U.S. Patent No. D403,750

M968897

Congratulations on purchasing your American Standard faucet with EverClean finish found only on American Standard faucets.

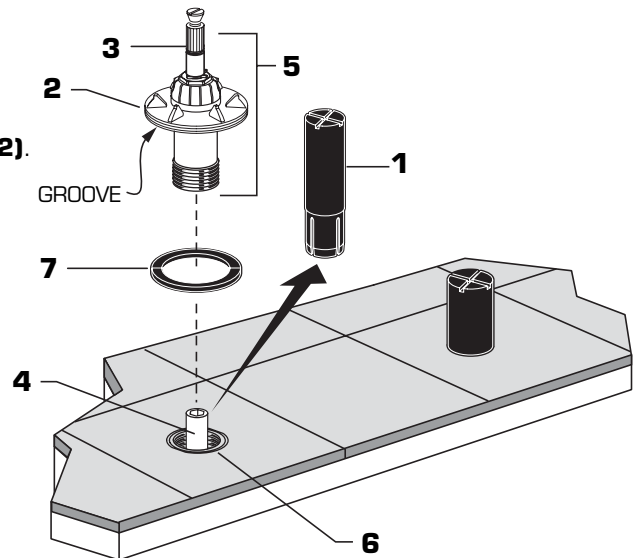
### EverClean Finish

- One wipe effortlessly removes spots
- Eliminates the need for cleaners and scrubbing
- Permanent surface protectant remains beautiful for the life of the faucet
- EverClean™ available on: Polished Chrome, Satin Nickel, Stainless Steel, Polished Brass (or any combination of these finishes)

To ensure that your installation proceeds smoothly-please read these instructions carefully before you begin.

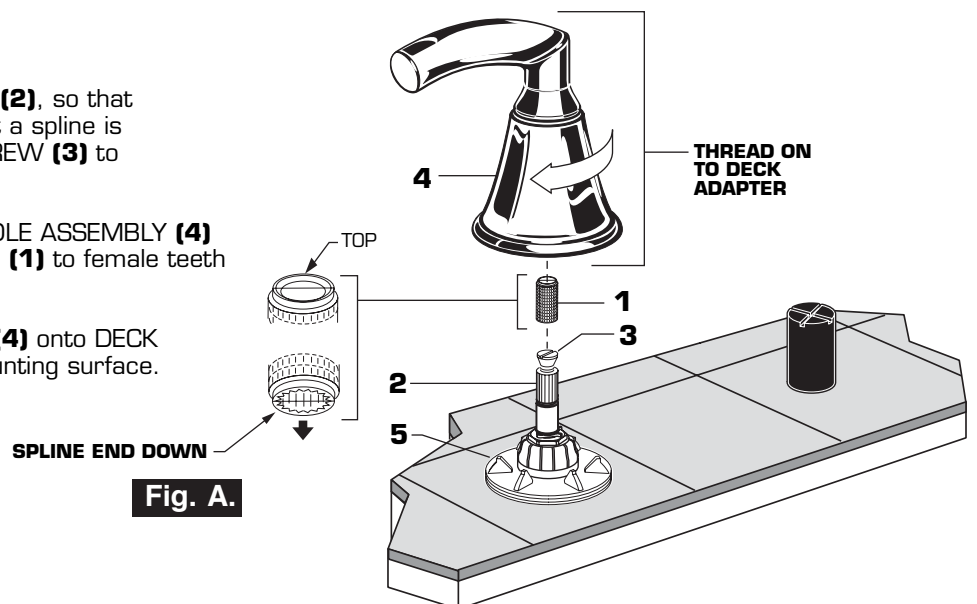
## 1 INSTALL HANDLE ADAPTER

- Remove DIVERTER GUARD (1) from valve.
- Place the ESCUTCHEON SEAL (7) into groove of DECK ADAPTER (2).
- Align the HANDLE STEM (3) with the SLEEVE (4) as necessary.
- Thread the HANDLE ADAPTER (5) into the VALVE BODY (6) until the DECK ADAPTER (2) contacts tight against the finished mounting surface.



## 2 INSTALL HANDLES

- Push ADAPTER (1) on VALVE STEM (2), so that the hole of the ADAPTER (1) without a spline is facing up. **Fig. A.** Tighten STEM SCREW (3) to secure ADAPTER (1).
- Find correct position of LEVER HANDLE ASSEMBLY (4) by adjusting male teeth on ADAPTER (1) to female teeth in HANDLE (4).
- Thread LEVER HANDLE ASSEMBLY (4) onto DECK ADAPTER (5) until snug against mounting surface.

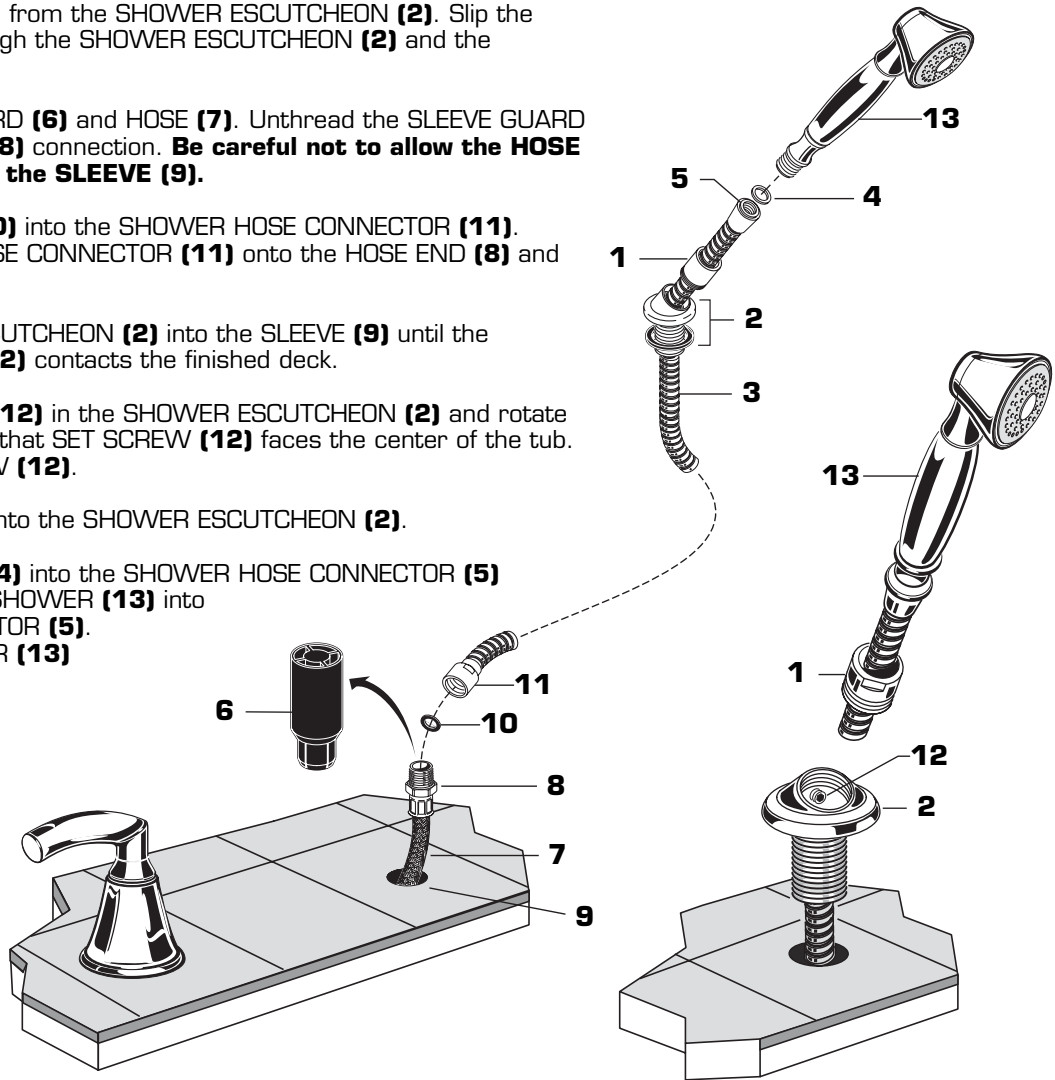


**Fig. A.**

### 3

#### INSTALL HAND SHOWER

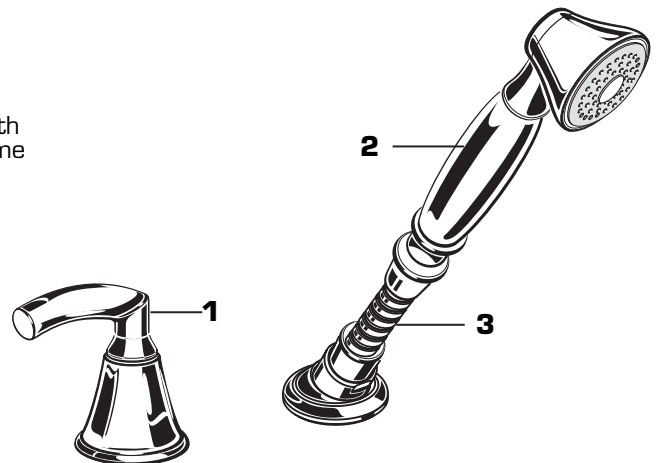
- Unscrew the HOLDER (1) from the SHOWER ESCUTCHEON (2). Slip the SHOWER HOSE (3) through the SHOWER ESCUTCHEON (2) and the HOLDER (1).
- Pull out the SLEEVE GUARD (6) and HOSE (7). Unthread the SLEEVE GUARD (6) from the HOSE END (8) connection. **Be careful not to allow the HOSE (7) to fall back through the SLEEVE (9).**
- Insert SEAL WASHER (10) into the SHOWER HOSE CONNECTOR (11). Thread the SHOWER HOSE CONNECTOR (11) onto the HOSE END (8) and tighten securely.
- Thread the SHOWER ESCUTCHEON (2) into the SLEEVE (9) until the SHOWER ESCUTCHEON (2) contacts the finished deck.
- Loosen the SET SCREW (12) in the SHOWER ESCUTCHEON (2) and rotate the ESCUTCHEON (2) so that SET SCREW (12) faces the center of the tub. Retighten the SET SCREW (12).
- Thread the HOLDER (1) into the SHOWER ESCUTCHEON (2).
- Insert a SEAL WASHER (4) into the SHOWER HOSE CONNECTOR (5) and hand tighten HAND SHOWER (13) into SHOWER HOSE CONNECTOR (5). Place the HAND SHOWER (13) into the HOLDER (1).



### 4

#### TEST INSTALLED DIVERTER

- Turn DIVERTER VALVE (1) fully clockwise (Tub fill position).
- Turn on control valves and check all connections for leaks. With DIVERTER VALVE (1) in clockwise position, flow should only come from tub spout.
- Lift HANDSHOWER (2) from holder, direct spray into tub, turn DIVERTER VALVE (1) fully counter-clockwise to check HANDSHOWER (2) and HOSES (3) for leaks. With DIVERTER VALVE (1) in counter-clockwise position, flow should only come from HANDSHOWER (2).
- Turn control valves "off."



### 5

#### EverClean™ Finish Care Instructions

**American Standard's EverClean finish will wipe clean with a soft, dry cloth. A soft cloth with clean water may also be used, if desired. No additional cleaning products are required.**

**DO NOT USE: Soaps, acid, polish, abrasives, harsh cleaners, or a cloth with a coarse surface.**